



Engineering Drawing MF10580

Instructions: Save your drawing in a folder created in My Documents of your computer and rename it with your index number.

Answer all the questions.

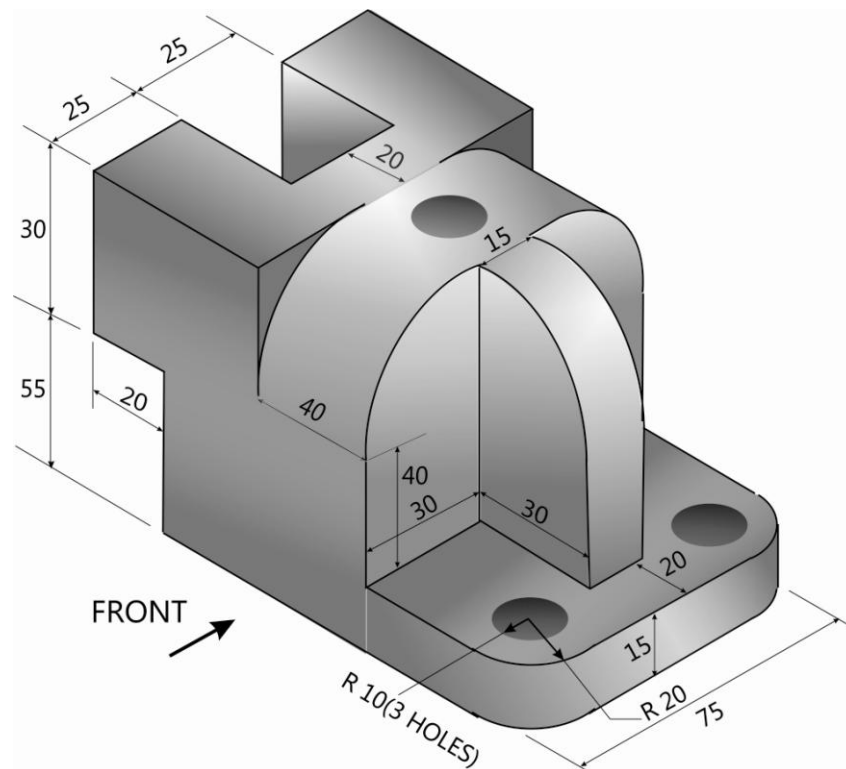
Duration : 03 hours

Part I

01) Make an orthographic drawing with a front view, Plan view and Right hand side view of the model given below.

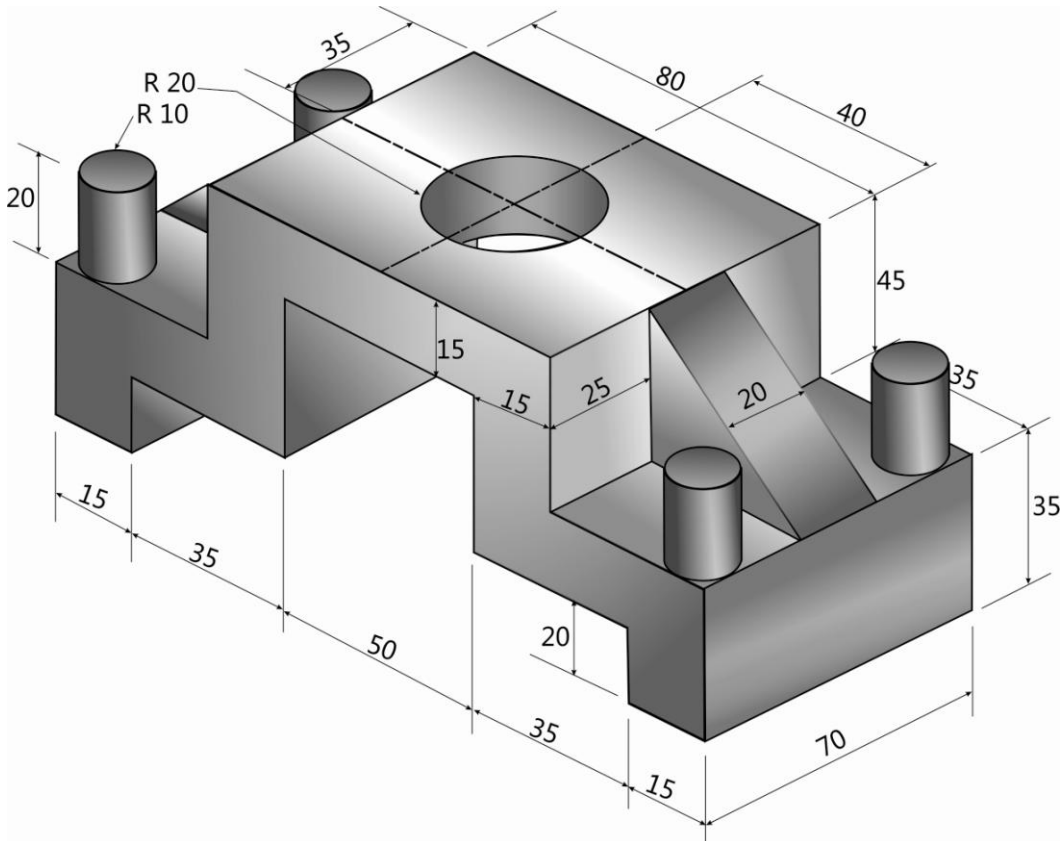
Use an A₂ size drawing layout in landscape format with following Title block, suitable Margins, Centering marks and Grid reference. All the dimensions are given in millimeters (mm). Use the method of **first angle** projection. Select a **suitable scale** for the views. Ensure the **correct positioning** of all views. Show all **hidden details**.

(35 Marks)

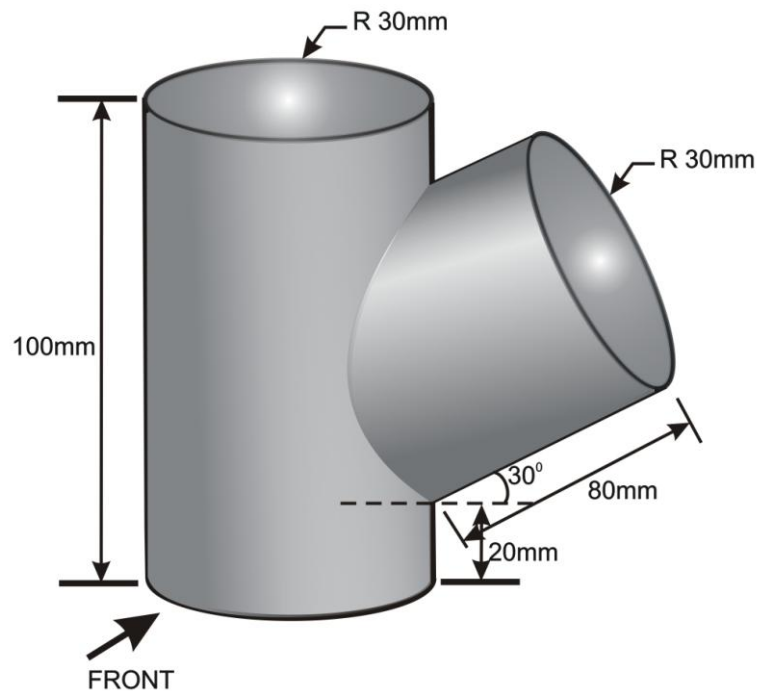


1cm 1cm 1cm	UNIVERSITY OF VOCATIONAL TECHNOLOGY				
	INDEX NUMBER		SCALE		SYMBOL
	SUBJECT CODE		DATE		
	5cm	3cm	3cm	4cm	5cm

02) Reconstruct the following object using AutoCAD 3D commands. All the dimensions are given in millimeter (mm). (35 marks)



03) Draw the intersection line of the front view of the following pipe joint. (15 Marks)



04) Make the Development drawing of following cone.

(15 Marks)

